



Smart Line
Technologies



STERI-GATE

High-Performance sterilization gate



Integrated system for sterilizing individuals before entering your business.



Designed to distribute sterile material to all parts of the body within a short period.



Reduce the spread of infectious diseases at work or in your business.

Who We Are?

Smart Line Technologies is a leading low-current system integrator in the Middle East with 20 years of experience providing system integration services to design and customize surveillance solutions that fit your business needs.



Features

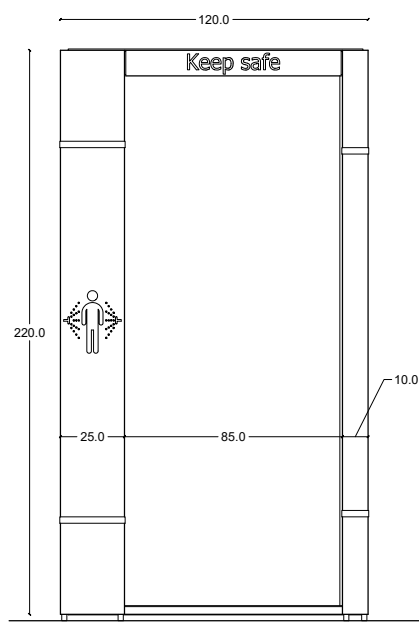
- ✔ STERI-GATE supports all sterile materials authorized for use by individuals of all types, and the offer includes an ionized water bottle for immediate use.
- ✔ Safety precautions to ensure user safety.
- ✔ Real savings in disinfectant consumption while ensuring sterilization efficacy.
- ✔ Motion sensors for automatic start.
- ✔ Ease of use and operation and does not require prior skills.
- ✔ Flexible design that can be customized to promote your brand.
- ✔ Rubber floor to prevent slipping.
- ✔ Waterproof, dustproof, and anti-corrosion.
- ✔ Easily customize and add optional accessories like mobility wheels, body thermal cameras, and more.
- ✔ Compact design that includes all system components (spray system, disinfectant tank, control panel) within the gate structure.

Specifications

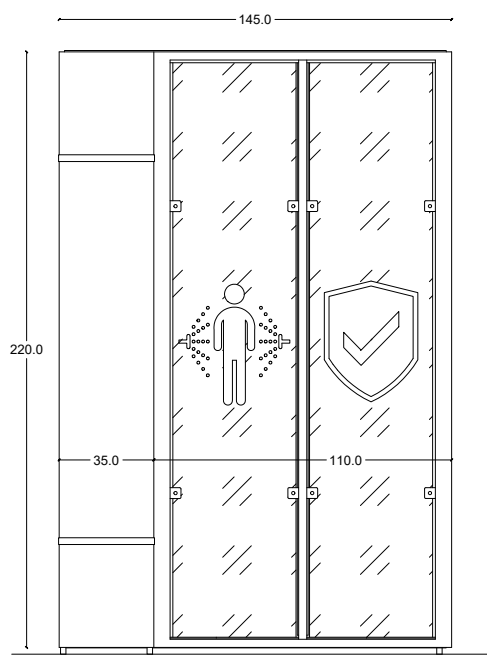
STERI-GATE	Number of sprays	6
	Control system	Automatic or manual Explanation lights (green, red)
	Overall size (LxWxH) [mm]	2200x1200x1450
	Sterilization time	6 seconds (adjustable)
	Disinfectant tank size	20 liter internal
	Power supply	24V, 2.5A
	Materials	Iron resistant to rust and weather alucobond ,sekurit
	Add-ons (optional)	Movewheels, thermal imaging camera, flyer displays, floormate, handicap access ramp
Warranty	One-Year Manufacturer's Warranty	



Size & Dimensions



Front view



Side View



Sterilization Material - Ionized Water

- ✓ Environmentally Friendly - its principal constituent; hydrogen peroxide does not pollute, as it eventually breaks down into its original, non-polluting constituents, water and oxygen.
- ✓ Extremely Effective Biocide.
- ✓ Wide Spectrum - sanitizing disinfectant effective against all bacteria, viruses, fungi and algae.
- ✓ Safe to Use - in its diluted state it does not cause irritation to the skin or eyes.

Add-ons

1. Thermal Imaging Camera - Detect temperature for up to 45 targets per 20ms



2. Facial recognition and temperature measuring device.






3. Wheelchair ramp.
4. Move wheels for easy transportation.
5. Advertising content.
6. Floor drainage.





Smart Line
Technologies




HQ - Jordan

-  Alrabieh, Opposite to King Abdaltah Gardens.
-  +962 6 5514646
-  +962 6 5515615
-  info@smartlinejo.com
-  www.smartlinejo.com

Egypt

-  Block 1/2, El Akhbar St., Sheraton Buildings, Cairo, Egypt
-  www.smartlinetec.com

Saudi Arabia

-  7190 Abi Bakr As Siddiq Branch Road - Almasif, Unit No 10
-  info@smartline.com.sa
-  www.smartline.com.sa